

# Fetch point 5

With your laptop secure and files intact, picking and choosing your work station for the day couldn't be easier. Keep everything you need at your fingertips with all the style and versatility of Fetch, in a smaller package.

Introducing the compact Fetch Point 5.  
After all size matters.



# Fetch point 5



When locked the Fetch is a secure storage space for your personal items.



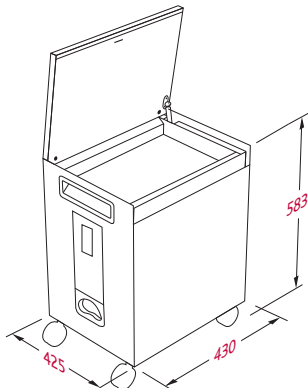
The inner surface of the lid can be used as a magnetic notice board and is accompanied by a temporary work surface.



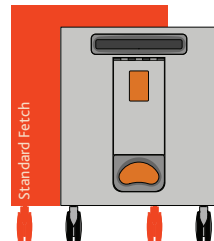
The tray can be used to store stationery, papers or a laptop. Internal mail can be delivered securely to the locked Fetch using the postbox. The business card holder on the handle identifies your unit.



The handle allows the owner to move the Fetch around the office with ease. The drawer accommodates lever arch files and suspension files.



Fetch Point 5 is designed to fit underneath bench workstations and standard office desks. It is more compact than the standard Fetch to allow easier manoeuvrability within a smaller space



In most cases we can match your colour schemes or existing furniture colours to fit in with and complement your work space.

